

Revital/Line[®]

Aluminum Baseboard Replacement Cover

MADE WITH DURABLE
RUST-PROOF
EXTRUDED ALUMINUM

**Presenting the quick and easy makeover
for your aging baseboard covers!**

- **EASY! EASY!**
No Tools Needed for Most Installations
- 2 Sizes available (Standard and XL)
- Fits Over Existing Back Panel
- Laboratory Tested for Maximum Heat Output
- Powder-coated for a Durable, Baked Enamel-like Finish
- Standard Color is Brite White.
- Available in 8 sizes:
2ft • 3ft • 3.5 ft • 4ft • 5ft • 6ft • 7ft • 8ft

Revital/Line Series fits most brands of standard residential and high output baseboard.

See dimensional drawings on back.



Turn this... Into this! That was easy!

 **Made from recycled Aluminum!**

From the World's Leader in Baseboard Heaters Since 1949

Revital/Line®

Aluminum Baseboard Replacement Cover

Slant/Fin's Revital/Line®, pre-cut replacement baseboard cover, is so easy to use! Simply measure your current baseboard and you're ready to begin. This product is designed to slip over the existing back panel. All you do is remove the old accessories, front panel and damper, and you're ready to slip on the new cover. Visit www.slantfinbaseboard.com to learn more and see a quick installation video.

The unique, modern design will provide durability and has been tested to allow for up to 40% more heat output than the competitive brands currently on the market. It's amazing how simple it is to transform the look of any room. And, best of all, anyone can do it! Slant/Fin takes the guesswork out of it...and puts our unsurpassed quality into every Revital/Line® makeover.

Breathe new life into your aging baseboard!
Revitalize any room in your home... quickly and easily... with a pre-cut, slip-in-place baseboard cover. See how easy it is at www.slantfinbaseboard.com

Revital/Line® is available in pre-cut lengths:
2', 3', 3-1/2', 4', 5', 6', 7', 8'

Revital/Line® Replacement Covers are for use with hydronic baseboard only.

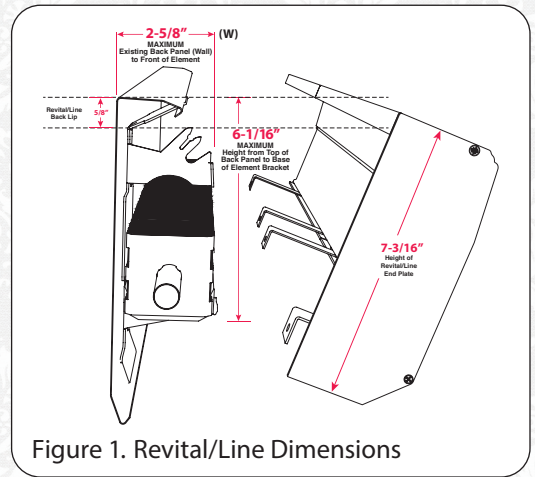


Figure 1. Revital/Line Dimensions

Accessories



Filler Sleeve
RVTL FS 2"
RVTL FS 4"
RVTL FS 7"
RVTL FS 14"
One piece filler sleeve covers gaps from 1" to 13"



Inside Corner
RVTL IC-90°
3-3/4" wide at top
RVTL IC-135° (Not Shown)



Outside Corner
RVTL OC-90° (Shown)
RVTL OC-135° (Not Shown)



End Plate*
RVTL End Plate
To seal the end with a flat finish. (screws included)
Not available for XL version.



Non-Hinged End Cap*
2" RVTL LEC (Not Shown)
2" RVTL REC (Not Shown)
4" RVTL LEC (Shown)
4" RVTL REC (Shown)
2" End Cap has a telescoping design that allows for a 1" adjustment.
4" End Cap has a telescoping design that allows for a 3" adjustment.

*Minimum floor to top of back panel 6-31/32"

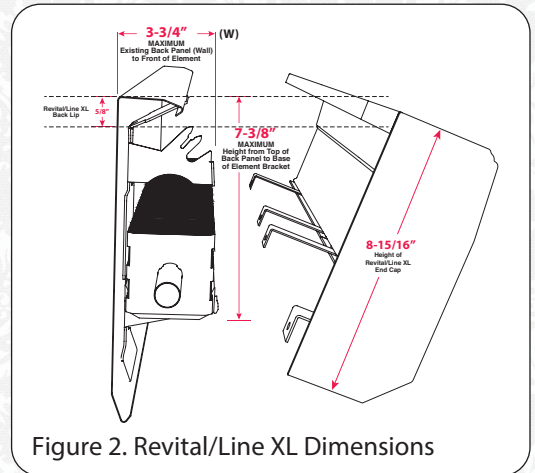


Figure 2. Revital/Line XL Dimensions

Decorator Colors will enhance any decor!



Nu-White



Brite White



Egg Shell



Almond



Soft Dove



Prime



Light Grey



Dark Bronze



Flat Black

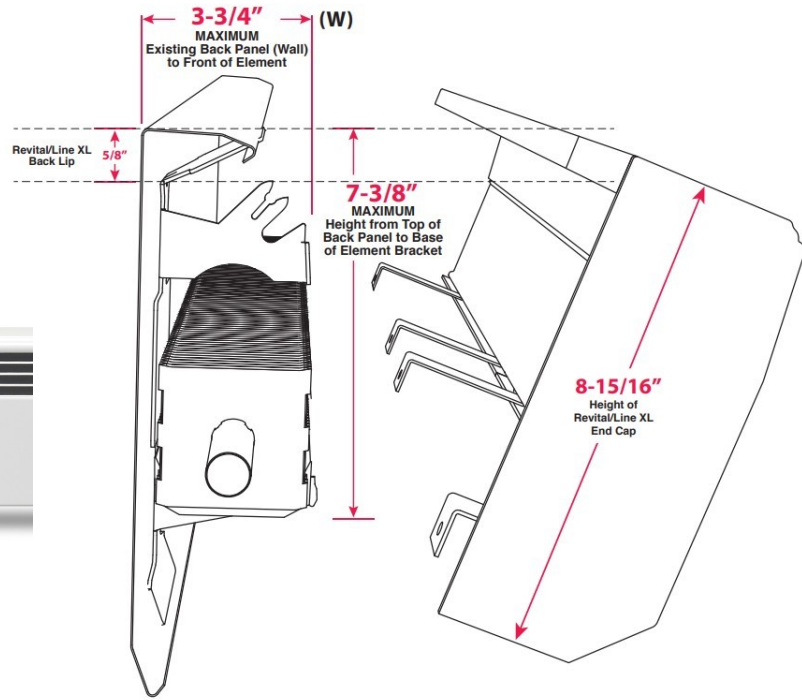
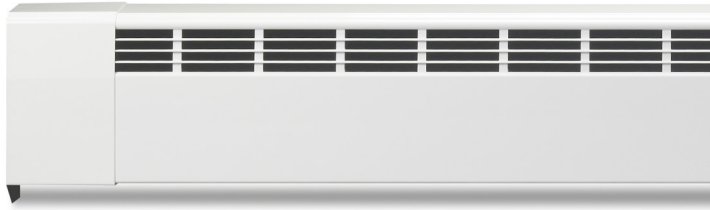


Silver Aluminum



Champagne

Slant/Fin
Revital/Line XL
 Aluminum Baseboard Replacement Cover



Slant/Fin Model #	Home Depot Internet #	Description
062000020	317927536	Revital/Line XL 2 ft. Hydronic Baseboard Cover in Brite White
062000030	317927537	Revital/Line XL 3 ft. Hydronic Baseboard Cover in Brite White
062000040	317927543	Revital/Line XL 4 ft. Hydronic Baseboard Cover in Brite White
062000050	317927545	Revital/Line XL 5 ft. Hydronic Baseboard Cover in Brite White
062000060	317927541	Revital/Line XL 6 ft. Hydronic Baseboard Cover in Brite White
062000070	317927542	Revital/Line XL 7 ft. Hydronic Baseboard Cover in Brite White
062000080	317927539	Revital/Line XL 8 ft. Hydronic Baseboard Cover in Brite White
062004001	317927544	Revital/Line XL 4 in. Left End Cap in Brite White
062004002	317927546	Revital/Line XL 4 in. Right End Cap in Brite White
062008000	317927540	Revital/Line XL 90 Degree Inside Corner in Brite White
062009040	317927538	Revital/Line XL 4 in. Filler Sleeve in Brite White

